

Construction Details — Tools

Thickness Sander

(Figure 102, 103 and 104)

Figure 102, together with plan view (Figure 103) and cross-section view (Figure 104), give details of the construction of my thickness sander.

I find that adhesive is needed to attach the sandpaper to the hardwood drum. I use a

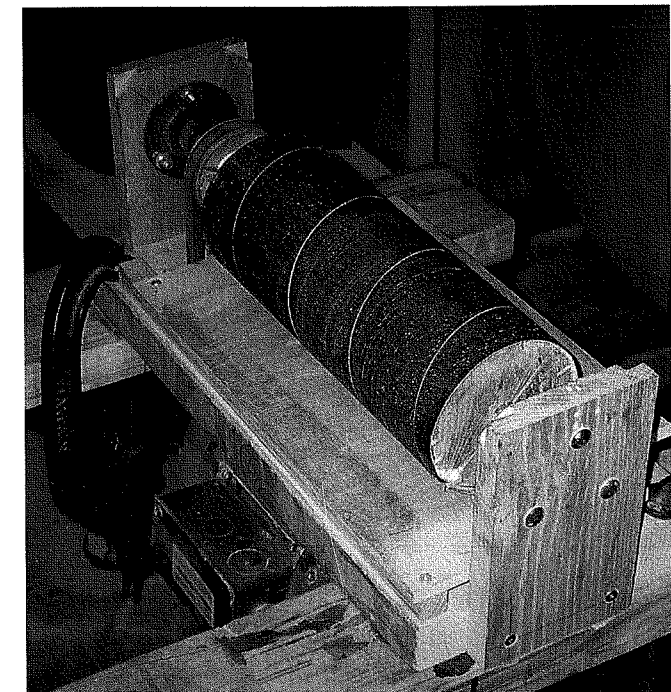


Figure 102 – Thickness Sander.

spray-on type (*Super 77* made by 3M).

To hold the ends of the roll of sandpaper in place, I cut a slot in the drum, inserted the tip of the sandpaper in the slot, and use a small wooden wedge, tapped in from the end.

The dust collector (Figure 3, page 15) was made from a piece of a heavy cardboard tube.

The 20mm x 20mm hardwood strip under the adjustable platform acts as a hinge.

#60 sandpaper makes the ribs sufficiently smooth if the final three or four passes are made without adjusting the thickness knob.

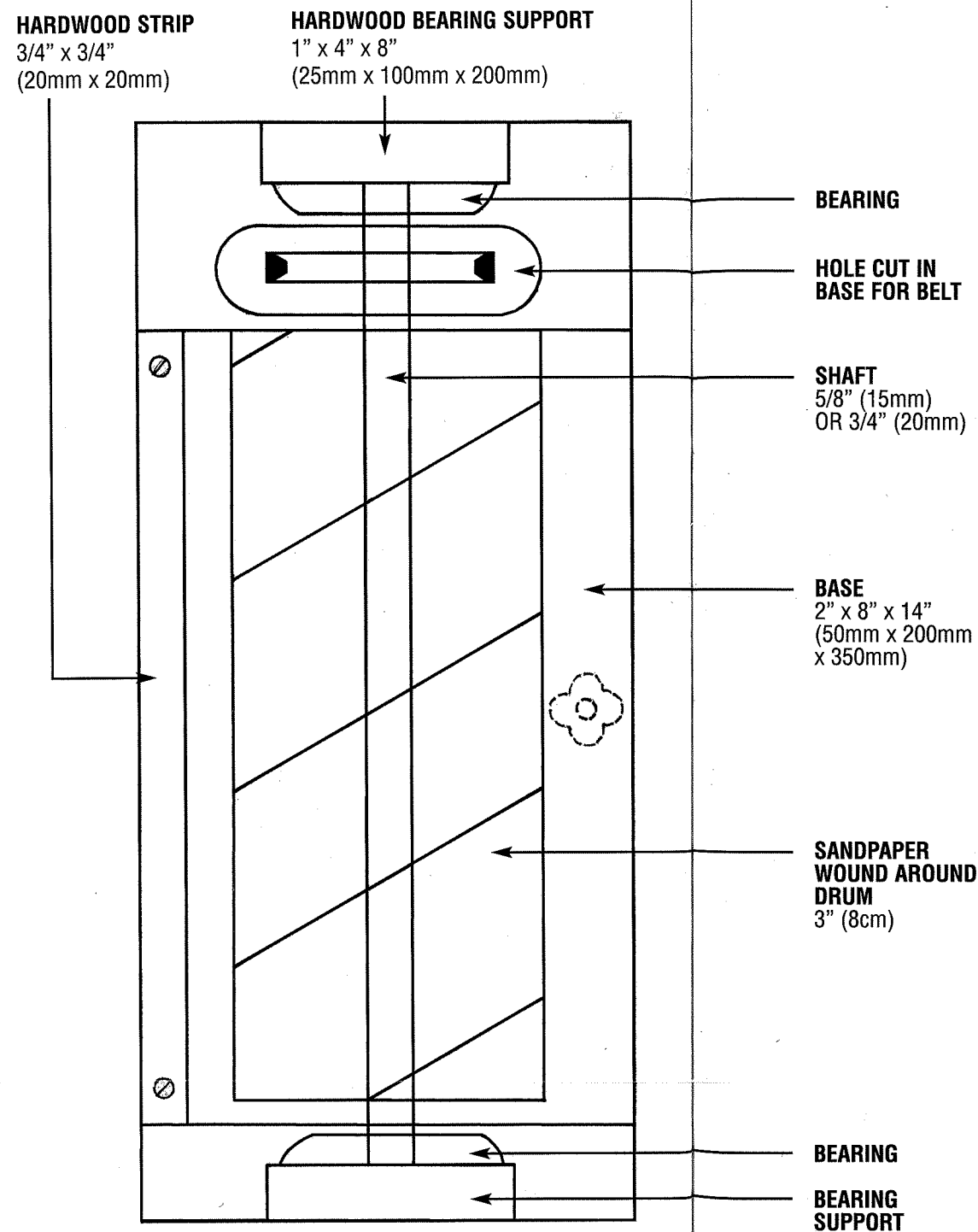


Figure 103 – Plan of Thickness Sander.

Construction Details — Tools

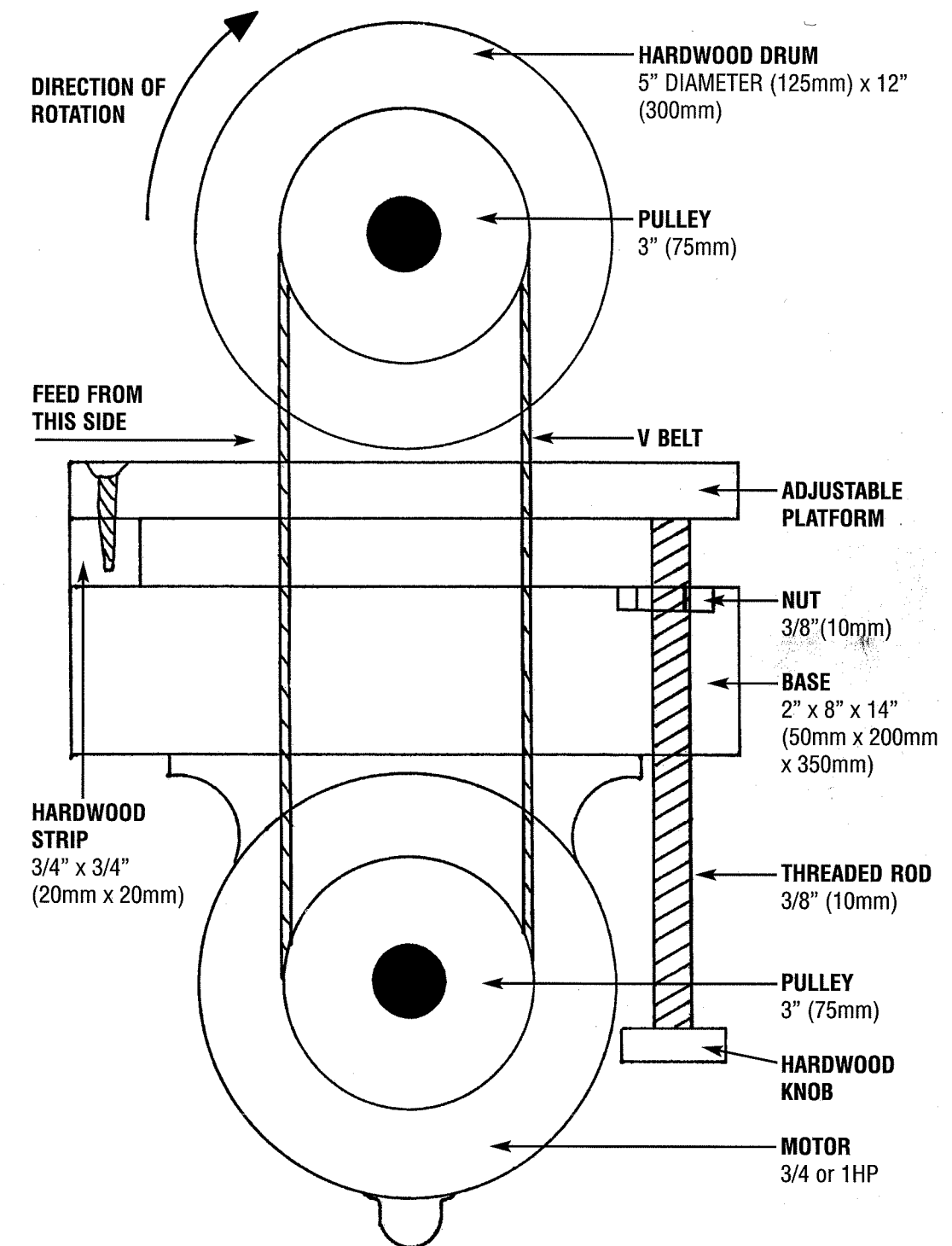


Figure 104 – Cross section view of Thickness Sander.